



# XEF 1.9 RACE

UPDATED PRODUCT

410% ASSISTANCE

DROPPER SEATPOST

HEAD LOOK

34x11x50



VARIANTE COLORE

ALU FRAME S-M-L

Brose S-Mag

Fantic 720Wh

RockShox ZEB e-bike - 29" 190mm

RockShox SuperDeluxe Coil Select+

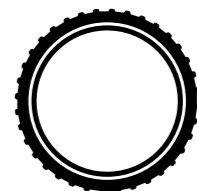
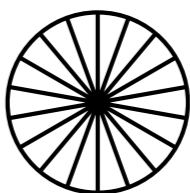
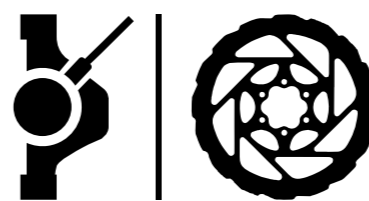
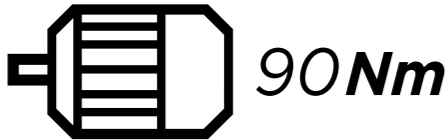
Sram NX Eagle 12V

Sram Code-R 4 Pistons 203mm F&R

Mavic E-XM

Vittoria E-MAZZA 2.6" / 2.8"

Sella Italia Novus Boost EVO



FANTIC MOTOR reserves the right to modify technical characteristics without prior notice.

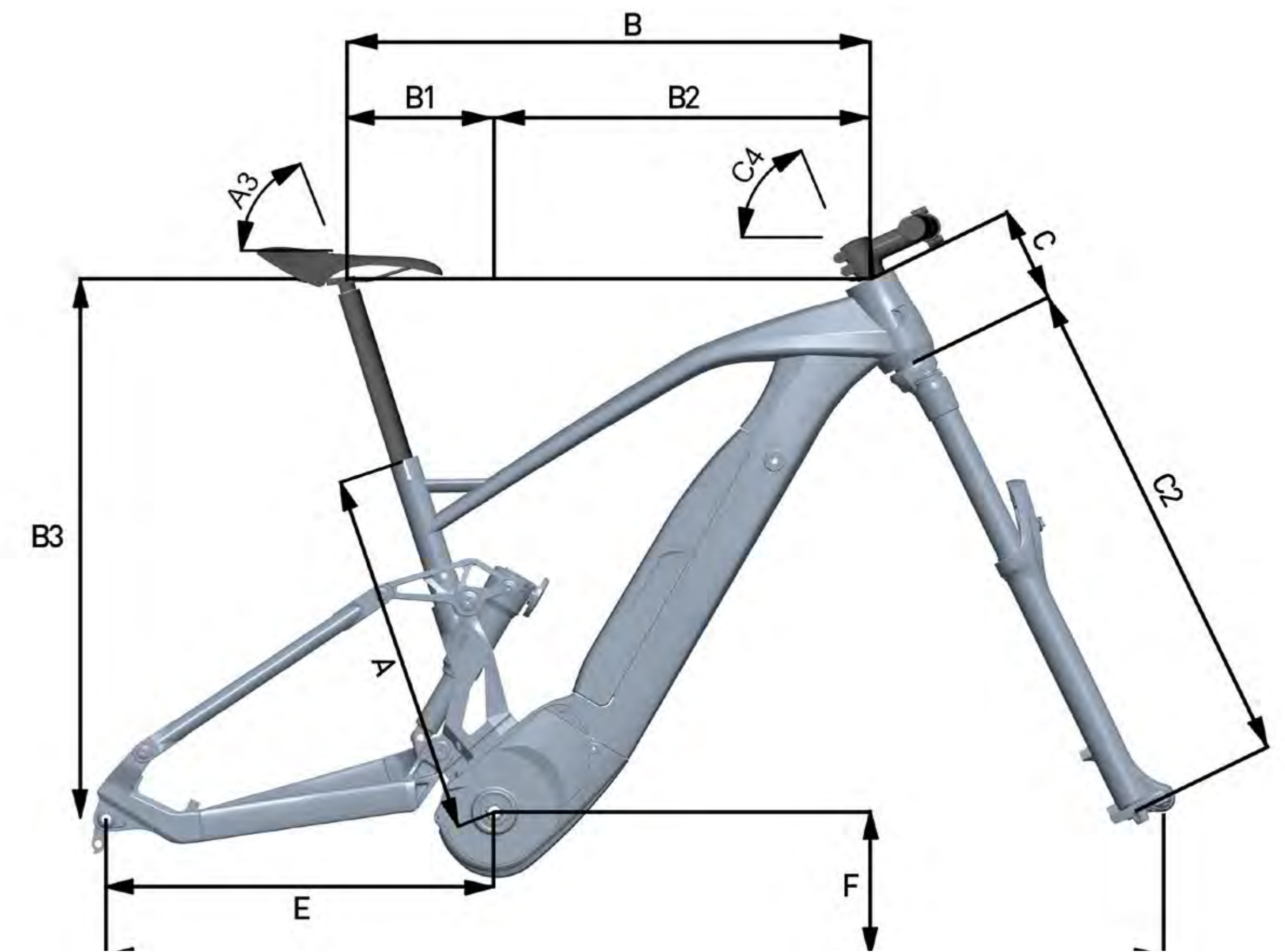
XEF 1.9 RACE



# XEF 1.9 RACE



<b>MOTOR</b>	Brose S-MAG 36 Volt, Max power: 250 Watt, Torque/Coppia: 90 Nm
<b>BATTERY</b>	Fantic Integra, Lithium Ion, 36 Volt, 720Wh
<b>DISPLAY</b>	Brose-All Round 4 multifunctional display & push-assistance selection unit
<b>FRAME</b>	Aluminum, Sizes: S - M - L
<b>FORK</b>	RockShox ZEB e-bike - 29" 190mm
<b>SHOCK</b>	RockShox SuperDeluxe Coil Select+ T205x65
<b>CHAIN RINGS</b>	Sram 34t Steel Eagle
<b>CRANK ARM</b>	FSA CK-320/ISIS - 155mm
<b>REAR DERAILLEUR</b>	Sram NX Eagle 12V
<b>SHIFT LEVERS</b>	Sram NX E-click
<b>CASSETTE</b>	Sram SX Eagle 12V, 11-50
<b>CHAIN</b>	Sram NX Eagle 12V
<b>BRAKE (FRONT)</b>	Sram Code R 4 Piston disc brake
<b>BRAKE (REAR)</b>	Sram Code R 4 Piston disc brake
<b>DISC (FRONT)</b>	Bracking S3 Battfly, 220mm - 6Hole
<b>DISC (REAR)</b>	Braking S3 Battfly, 203mm - 6Hole
<b>TIRES (FRONT)</b>	Vittoria E-MAZZA 29"x 2.6
<b>TIRES (REAR)</b>	Vittoria E-MARTELLLO 27.5"x 2.8
<b>WHEELS</b>	Mavic E-XM
<b>FRONT HUB</b>	Sram 700
<b>REAR HUB</b>	Sram 700
<b>HANDLEBAR</b>	FSA GRID 800mm-35 RISE15
<b>STEM</b>	FSA GRID 50mm-35 RISE6°
<b>SEATPOST</b>	SWITCH SW Ø 30.9 S-M(100mm), L(125mm)
<b>SADDLE</b>	Sella Italia Novus Boost EVO



SIZE	S	M	L
<b>A</b>	390	430	469
<b>A3</b>	73	73	73
<b>B</b>	586	596	628
<b>B1</b>	161	162	166
<b>B2</b>	425	454	480
<b>B3</b>	617,8	622,0	633,7
<b>C</b>	105	110	120
<b>C2</b>	581	581	581
<b>C4</b>	65	65	65,5
<b>D1</b>	1241	1245	1270,5
<b>E</b>	459	459	459
<b>F</b>	363,5	363,5	363,5