



XEF 1.9 FACTORY

UPDATED PRODUCT

410% ASSISTANCE

DROPPER SEATPOST

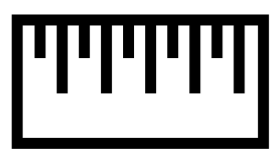
HEAD LOOK

34x11x50



VARIANTE COLORE

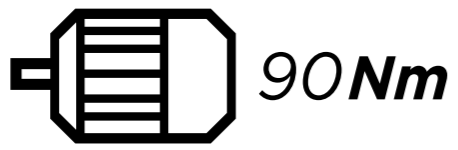
ALU FRAME S-M-L



CARBON Seat Stay



Brose S-Mag



Fantic 720Wh



RockShox ZEB ULTIMATE 190mm



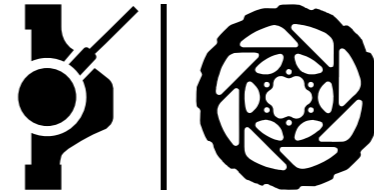
Ohlins TTX 22M



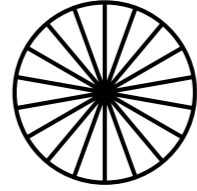
Sram GX Eagle e-click 12 Speed



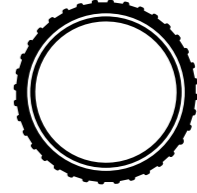
Braking IN.CA.S



Mavic E-XM



Vittoria E-MAZZA 2.6" / 2.8"



Sella Italia Novus Boost EVO



FANTIC MOTOR reserves the right to modify technical characteristics without prior notice.

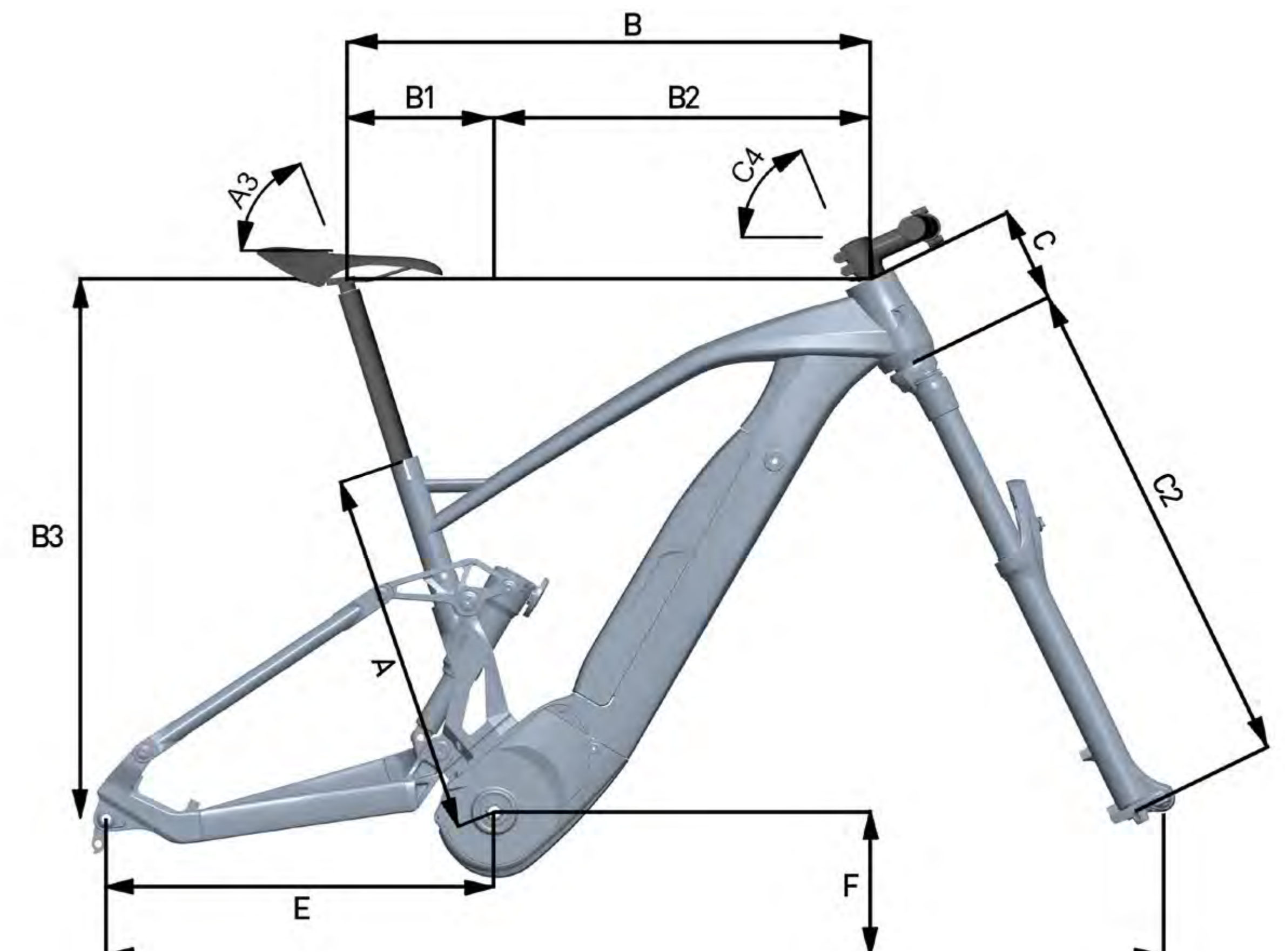
XEF 1.9 FACTORY



XEF 1.9 FACTORY



MOTOR	Brose S-MAG 36 Volt, Max power: 250 Watt, Torque/Coppia: 90 Nm
BATTERY	Fantic Integra, Lithium Ion, 36 Volt, 720Wh
DISPLAY	Brose-All Round 4 multifunctional display & push-assistance selection unit
FRAME	Aluminum, Sizes: S - M - L
FORK	RockShox ZEB ULTIMATE e-bike - 29" 190mm
SHOCK	Ohlins TTX 22M T205x65
CHAIN RINGS	Sram 34t Steel Eagle
CRANK ARM	FSA CK-320/ISIS - 155mm
REAR DERAILLEUR	Sram GX Eagle 12V
SHIFT LEVERS	Sram GX E-click
CASSETTE	Sunrace SilverRed 12V, 11-51
CHAIN	Sram NX Eagle 12V
BRAKE (FRONT)	Braking IN.CA.S disc brake
BRAKE (REAR)	Braking IN.CA.S disc brake
DISC (FRONT)	Braking S3 Battfly, 220mm - 6Hole
DISC (REAR)	Braking S3 Battfly, 203mm - 6Hole
TIRES (FRONT)	Vittoria E-MAZZA 29"x 2.6
TIRES (REAR)	Vittoria E-MARTELLLO 27,5"x 2.8
WHEELS	Mavic E-XM
FRONT HUB	Sram 700
REAR HUB	Sram 700
HANDLEBAR	Renthal FATBAR V2 800mm-35 RISE20
STEM	Renthal APEX 40mm-35 RISE6°
SEATPOST	RockShox Reverb Ø 30.9 S-M(100mm), L(125mm)
SADDLE	Sella Italia Novus Boost EVO



SIZE	S	M	L
A	390	430	469
A3	73	73	73
B	586	596	628
B1	161	162	166
B2	425	454	480
B3	617,8	622,0	633,7
C	105	110	120
C2	581	581	581
C4	65	65	65,5
D1	1241	1245	1270,5
E	459	459	459
F	363,5	363,5	363,5