



XTF 1.5

UPDATED PRODUCT

34x11x50



VARIANTE COLORE

ALU FRAME
S-M-L

Brose Alu

Fantic 630Wh

RockShox RECON
Silver RL - 29" 150mm

RockShox Deluxe
Select

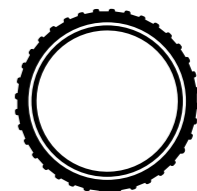
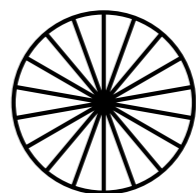
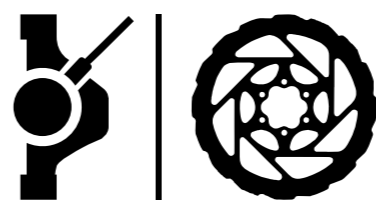
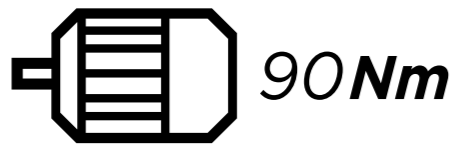
Sram GX Eagle
e-click 12 Speed

Sram LEVEL
2 Piston

Rodi BlackJack
TRIP30

Schwalbe
SMARTSAM 29"x 2.6

Sella Italia X3
Boost



FANTIC MOTOR reserves the right to modify technical characteristics without prior notice.

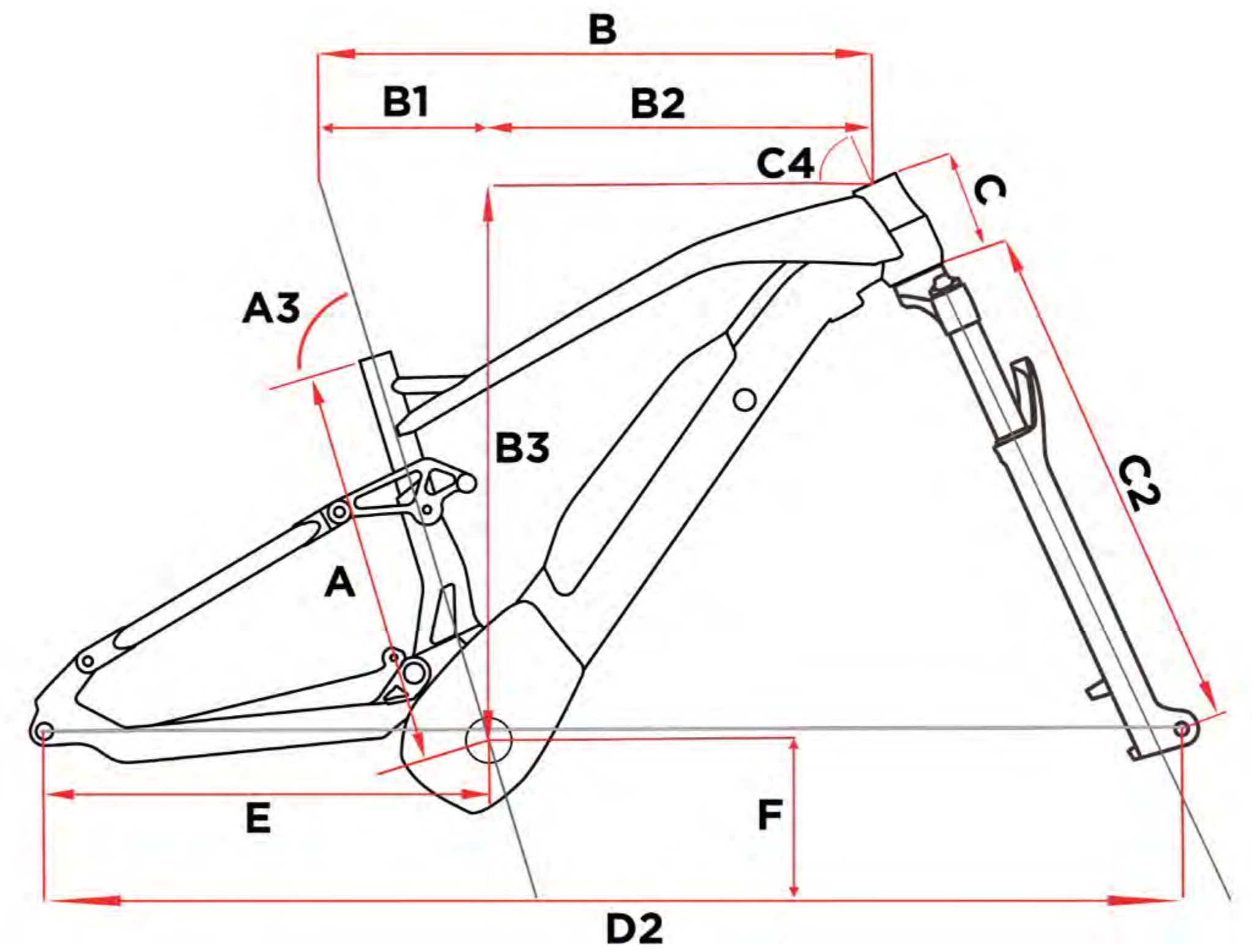
XTF 1.5



XTF 1.5



MOTOR	Brose Alu 36 Volt, Max power: 250 Watt, Torque/Coppia: 90 Nm
BATTERY	Fantic Integra, Lithium Ion, 36 Volt, 630Wh
DISPLAY	Brose-All Round 4 multifunctional display & push-assistance selection unit
FRAME	Aluminum, Sizes: S - M - L
FORK	RockShox RECON Silver RL e-bike - 29" 150mm
SHOCK	RockShox Deluxe Select T205x57,5 Air
CHAIN RINGS	Sram 34t Steel Eagle
CRANK ARM	Miranda Delta Isis - 165mm
REAR DERAILLEUR	Sram SX Eagle 12V
SHIFT LEVERS	Sram SX E-click
CASSETTE	Sram SX Eagle 12V, 11-50
CHAIN	Sram SX Eagle 12V
BRAKE (FRONT)	Sram LEVEL 2 Piston disc brake
BRAKE (REAR)	Sram LEVEL 2 Piston disc brake
DISC (FRONT)	SramCenterLine, 200mm - 6Hole
DISC (REAR)	SramCenterLine, 180mm - 6Hole
TIRES (FRONT)	Schwalbe SMARTSAM 29"x 2.6
TIRES (REAR)	Schwalbe SMARTSAM 29"x 2.6
WHEELS	Rodi BlackJack TRIP30
HANDLEBAR	Promax HB-3188DB 760mm-31,8 RISE18 SWEEP 8°
STEM	Promax DA205 60mm-31,8 RISE6°
SEATPOST	Promax teles. SP -2038 Ø 30.9 100mm
SADDLE	Sella Italia X3 Boost



SIZE	S	M	L
A	390	430	490
A3	73	73	73
B	573	602	627
B1	166	169	174
B2	407	433	453
B3	615,8	625,0	641,5
C	105	115	130
C2	567	567	567
C4	66	66	66,5
D1	1193	1224	1244
E	472	472	472
F	358	358	358