



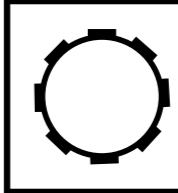
X M F 1 . 7 C A R B O N

 UPDATED PRODUCT

410% ASSISTANCE

 DROPPER SEATPOST

 HEAD LOOK

 34x11x50



31

CARBON FRAME
S-M-L

Brose S-Mag

Fantic 720Wh

RockShox YARI RC
29" 170mm

Rockshox Super
Deluxe Select+

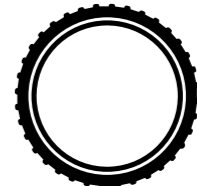
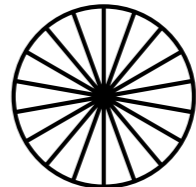
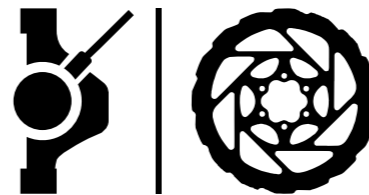
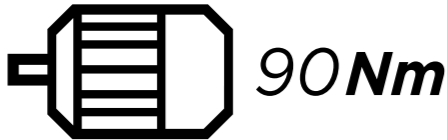
Sram GX
Eagle 12V

Sram Code R
4 Piston

FULCRUM E-700

Vittoria
E-MARTELLLO 27,5"

Sella Italia Novus
Boost EVO



FANTIC MOTOR reserves the right to modify technical characteristics without prior notice.

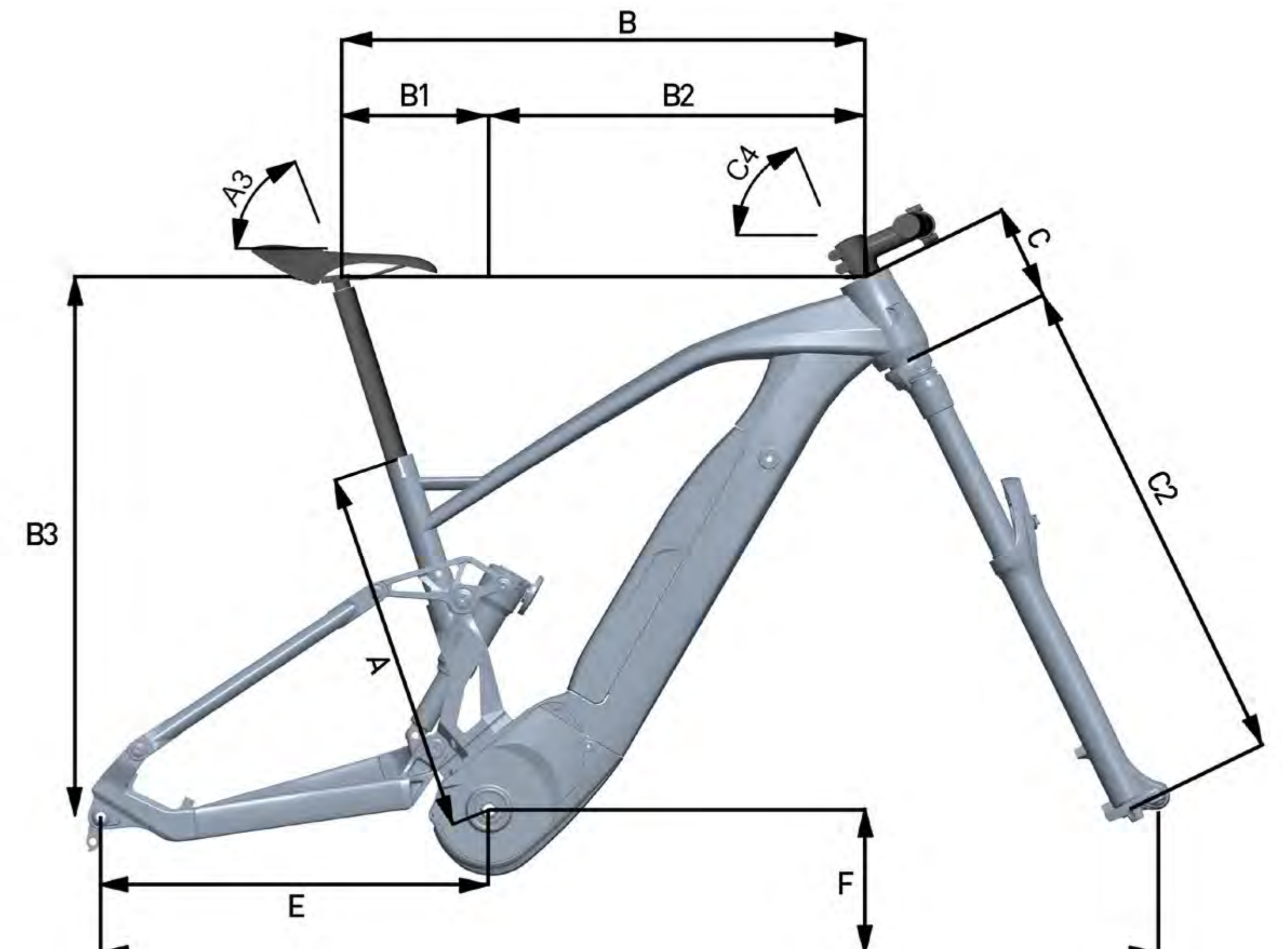
X M F 1 . 7 C A R B O N



XMF 1.7 CARBON



MOTOR	Brose S-MAG 36 Volt, Max power: 250 Watt, Torque/Coppia: 90 Nm
BATTERY	Fantic Integra, Lithium Ion, 36 Volt, 720Wh
DISPLAY	Brose-All Round 4 multifunctional display & push-assistance selection unit
FRAME	Carbon, Sizes: S - M - L
FORK	RockShox YARI RC e-bike - 29" 170mm
SHOCK	RockShox SuperDeluxe Select+ T205x60 Air
CHAIN RINGS	Sram 34t Steel Eagle
CRANK ARM	FSA CK-7462/IS - 165mm
REAR DERAILLEUR	Sram GX Eagle 12V
SHIFT LEVERS	Sram NX E-click
CASSETTE	Sram SX Eagle 12V, 11-50
CHAIN	Sram SX Eagle 12V
BRAKE (FRONT)	Sram Code R 4 Piston disc brake
BRAKE (REAR)	Sram Code R 4 Piston disc brake
DISC (FRONT)	Braking S3 Battfly, 203mm - 6Hole
DISC (REAR)	Braking S3 Battfly, 203mm - 6Hole
TIRES (FRONT)	Vittoria E-MARTELLLO 29"x 2.35
TIRES (REAR)	Vittoria E-MARTELLLO 27.5"x 2.6
WHEELS	FULCRUM E-700
HANDLEBAR	FSA GRID 800mm-35 RISE15
STEM	FSA GRID 50mm-35 RISE6°
SEATPOST	SWITCH SW Ø 30.9 S-M(100mm), L(125mm)
SADDLE	Sella Italia Novus Boost EVO



SIZE	S	M	L
A	390	430	469
A3	73	73	73
B	586	596	628
B1	161	162	166
B2	425	454	480
B3	617,8	622,0	633,7
C	105	110	120
C2	581	581	581
C4	65	65	65,5
D1	1241	1245	1270,5
E	459	459	459
F	363,5	363,5	363,5