



XXF 2.0 RACE

UPDATED PRODUCT

410% ASSISTANCE

DROPPER SEATPOST

HEAD LOOK

34x11x50



VARIANTE COLORE

ALU FRAME
S-M-L

Brose S-Mag

Fantic 720Wh

RockShox BOXXER
Selct e-bike 200mm

RockShox SuperDe-
luxe Coil Select+

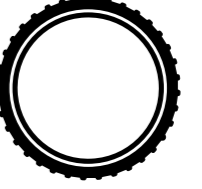
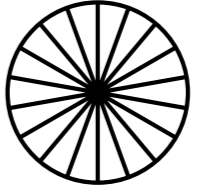
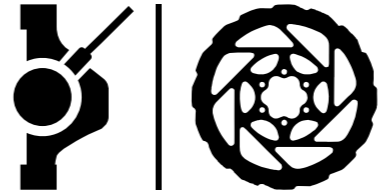
Sram SX Eagle
12V

Magura MT7
4 Piston

Mavic E-XM

Vittoria E-MAZZA
2.6" / 2.8"

Sella Italia Novus
Boost EVO



FANTIC MOTOR reserves the right to modify technical characteristics without prior notice.

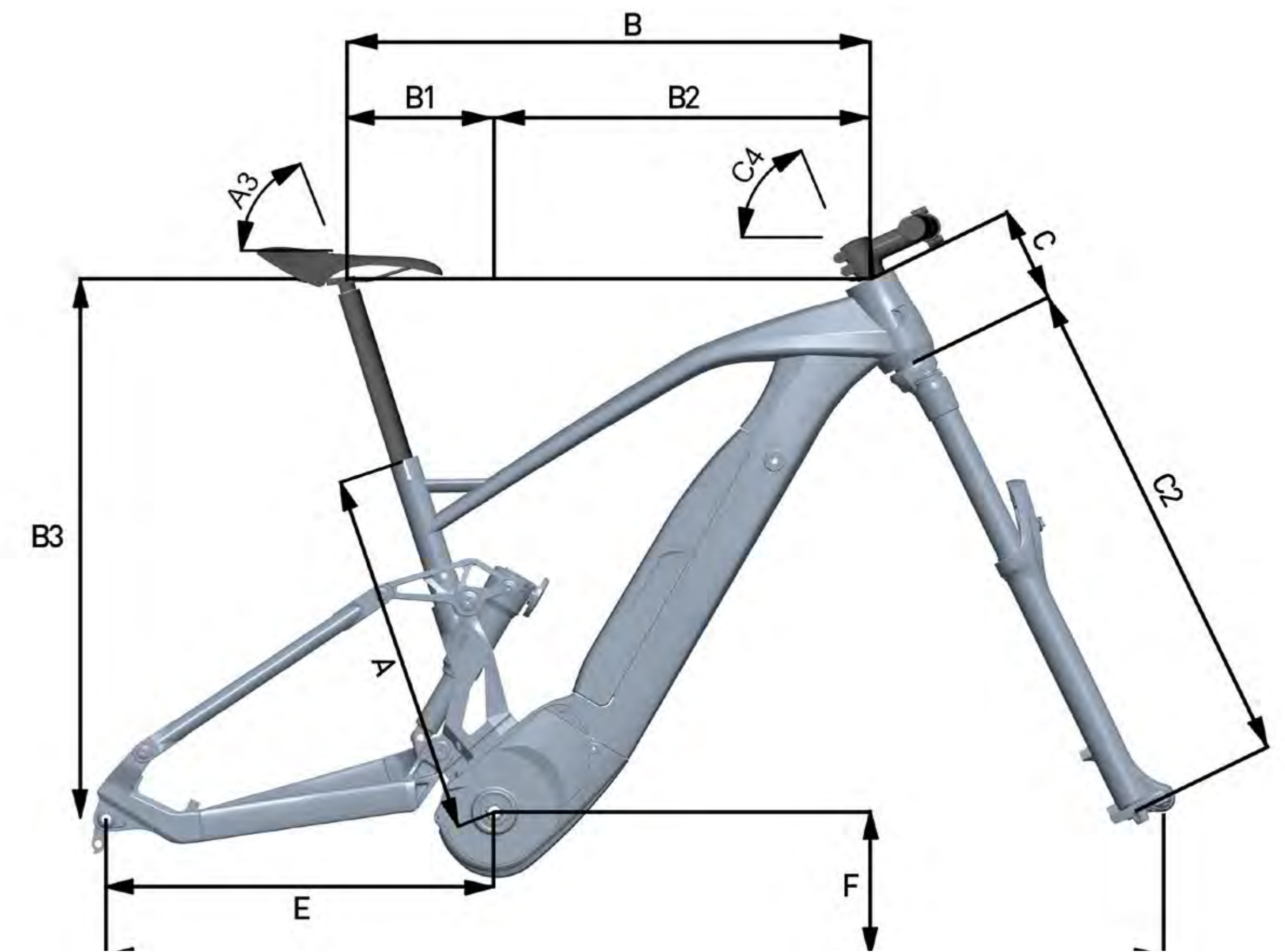
XXF 2.0 RACE



XXF 2.0 RACE



MOTOR	Brose S-MAG 36 Volt, Max power: 250 Watt, Torque/Coppia: 90 Nm
BATTERY	Fantic Integra, Lithium Ion, 36 Volt, 720Wh
DISPLAY	Brose-All Round 4 multifunctional display & push-assistance selection unit
FRAME	Aluminum, Sizes: S - M - L
FORK	RockShox BOXXER Selct e-bike - 29" 200mm
SHOCK	RockShox SuperDeluxe Coil Select+ T205x65
CHAIN RINGS	Sram 34t Steel Eagle
CRANK ARM	FSA CK-320/ISIS - 155mm
REAR DERAILLEUR	Sram NX Eagle 12V
SHIFT LEVERS	Sram NX E-click
CASSETTE	Sram SX Eagle 12V, 11-50
CHAIN	Sram NX Eagle 12V
BRAKE (FRONT)	Magura MT7 4 Piston disc brake
BRAKE (REAR)	Magura MT7 4 Piston disc brake
DISC (FRONT)	Braking S3 Battfly, 220mm - 6Hole
DISC (REAR)	Braking S3 Battfly, 203mm - 6Hole
TIRES (FRONT)	Vittoria E-MAZZA 29"x 2.6
TIRES (REAR)	Vittoria E-MARTELLLO 27,5"x 2.8
WHEELS	Mavic E-XM
FRONT HUB	Sram 900
REAR HUB	Sram 900
HANDLEBAR	FSA GRID 800mm-35 RISE15
STEM	FSA DIRETTO 40mm-35
SEATPOST	SWITCH SW Ø 30.9 S-M(100mm), L(125mm)
SADDLE	Sella Italia Novus Boost EVO



SIZE	S	M	L
A	390	430	469
A3	73	73	73
B	586	596	628
B1	161	162	166
B2	425	454	480
B3	617,8	622,0	633,7
C	105	110	120
C2	581	581	581
C4	65	65	65,5
D1	1241	1245	1270,5
E	459	459	459
F	363,5	363,5	363,5